

## DESCRIPTION

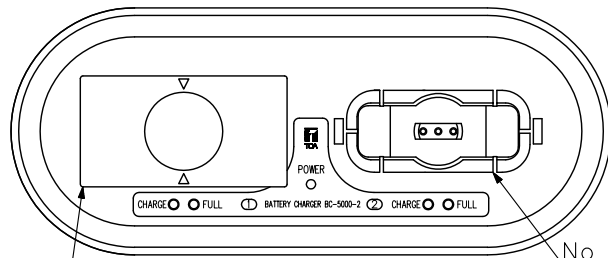
The BC-5000-2 is a dedicated battery charger for the WM-5225 and WM-5265 Wireless Microphones, WM-5325 Wireless Transmitter, and WT-5100 Portable Receiver, which work with AD-5000-2. It employs a quick charging system for nickel metal hydride (Ni-MH) batteries, allowing up to 2 wireless microphones to be fully charged within 3 hours.

## SPECIFICATIONS

|  |   |
|--|---|
| Power Source   | 12 V DC (optional AC adapter AD-5000-2 must be used)                                  |
| Power Consumption  | 700 mA  |
| Charging Time  | Max. 3 h  |
| Number of Wireless Microphone to be Charged Simultaneously | 2 pieces *  |
| Operating Temperature                                      | 0 °C to +40 °C (32 °F to 104 °F)  |
| Operating Humidity   | 30 % to 85 %RH (no condensation)  |
| Finish   | Case: ABS resin, gray<br>Microphone receptacle section: PPE resin, black              |
| Dimensions   | 238 (W) × 105 (H) × 98 (D) mm (9.37" × 4.13" × 3.86")<br>(including mounting adapter) |
| Weight   | 500 g (1.1 lb) (charger with the mounting adapters attached)                          |
| Accessory  | Mounting adapter (preinstalled on the unit) ×2  |
| Option   | Rechargeable battery: WB-2000-2 (containing 2 pieces)<br>AC adapter: AD-5000-2        |

\* Using the mounting adapter allows one each of the WM-5225, WM-5265, WM-5325, and WT-5100 to be charged in combination.

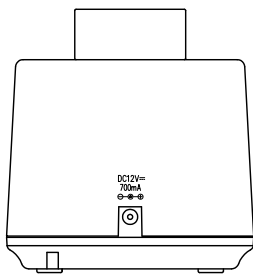
## APPEARANCE



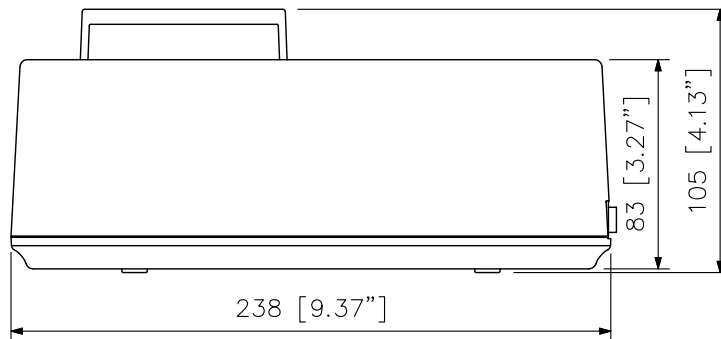
Installed mounting adapter

No mounting adapter installed

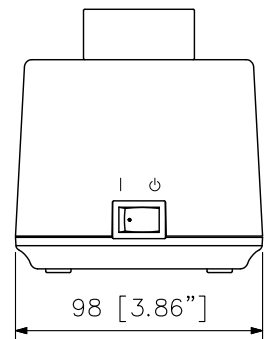
Top View



Left Side View



Front View



Right Side View

UNIT:mm SCALE:1/3